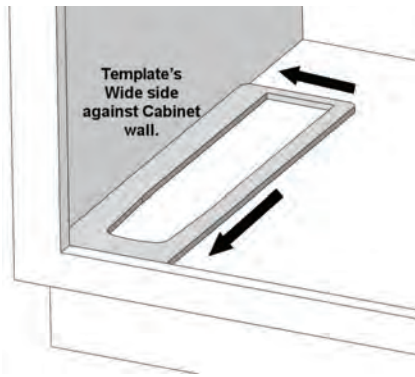
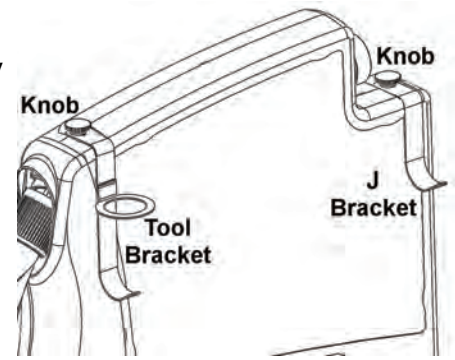


Vroom24 Cabinet Installation

1. Locate cardboard template inside the cabinet.

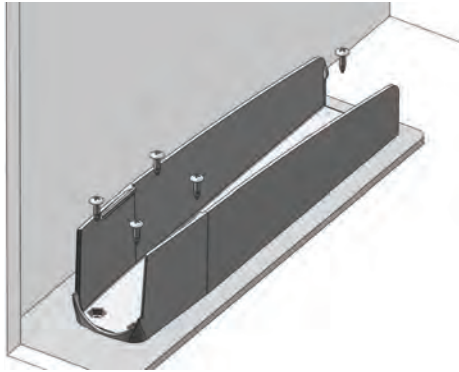


5. Attach accessory brackets as shown.



2. Place mounting bracket in template.

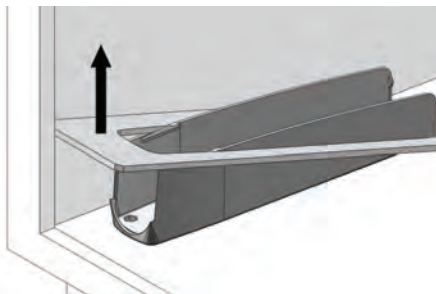
Secure with 5 screws as shown.



6. Install the Vroom in the mounting bracket by pushing it into place as shown. It will snap in place when installed correctly.



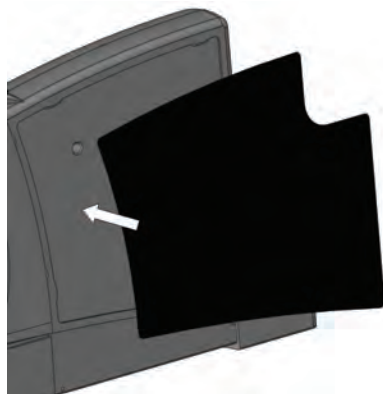
3. Remove the cardboard Template.



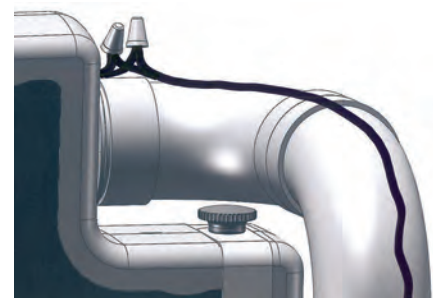
7. Connect the vacuum tubing to the Vroom's connector on the back as shown. Do NOT glue, press fit only.



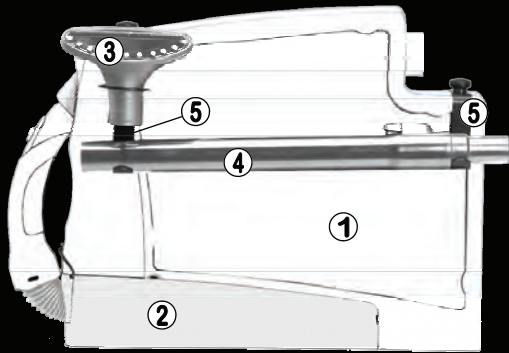
4. Install the side panels. Flex them so the edges tuck under the 6 plastic molded tabs.



8. Connect the low voltage wires on the back of the unit.



Using Your New Vroom24

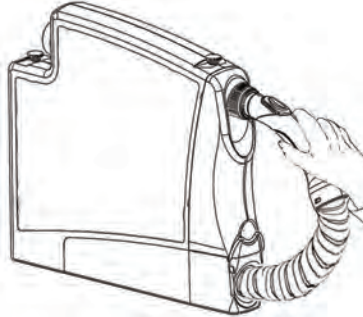


INCLUDED:

- ① Vroom
 - ② Vroom Base
 - ③ Combination Floor/Rug Tool
 - ④ Adjustable Wand
 - ⑤ Tool Storage J-Brackets (2), shown installed
- Installation Components/Hardware (not shown)

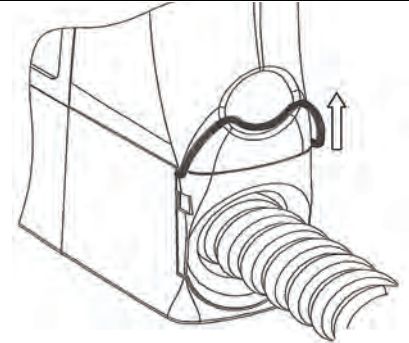
1. Turn it on.

Just lift the handle until the Vroom clicks on. Then pull out the handle.



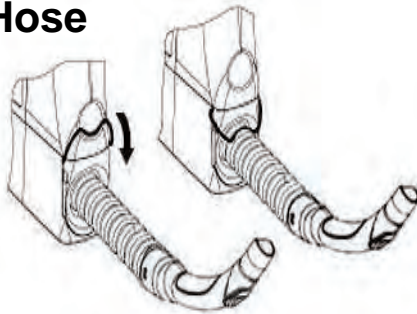
5. When Finished

Flip up the hose lock.



2. Lock the Hose

Pull out as much hose as you want. Then flip the Hose Lock down (as shown) to hold it in place.



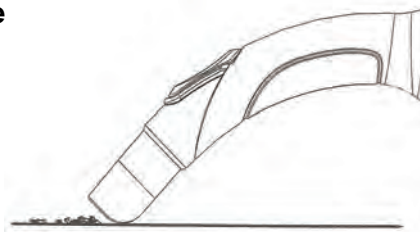
6. Retract the Hose

Cover the handle end with your hand. The Vroom Hose retracts automatically.



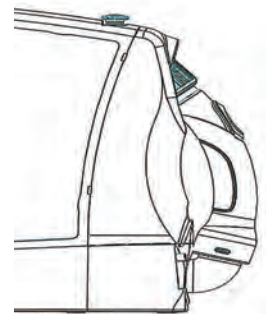
3. Vacuum with the Handle

The rounded edge of the handle means you can vacuum without an attachment.

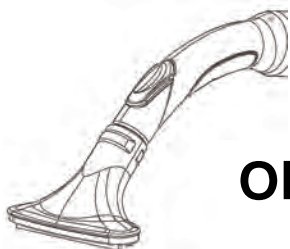


7. Store the Handle

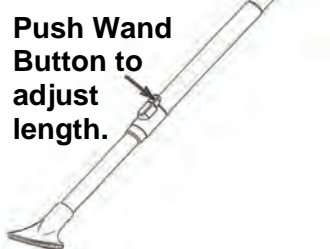
Place the Handle inside the green hose dock and lower it into the storage position as shown. Vroom turns off automatically.



4. Accessory Usage



OR



Push Wand Button to adjust length.